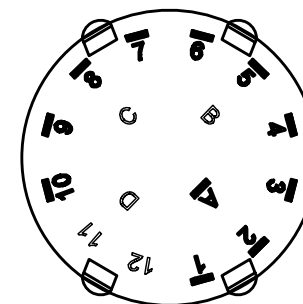
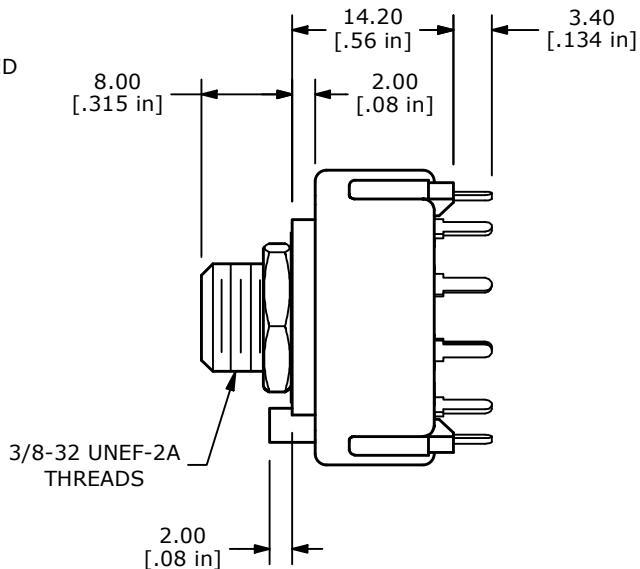
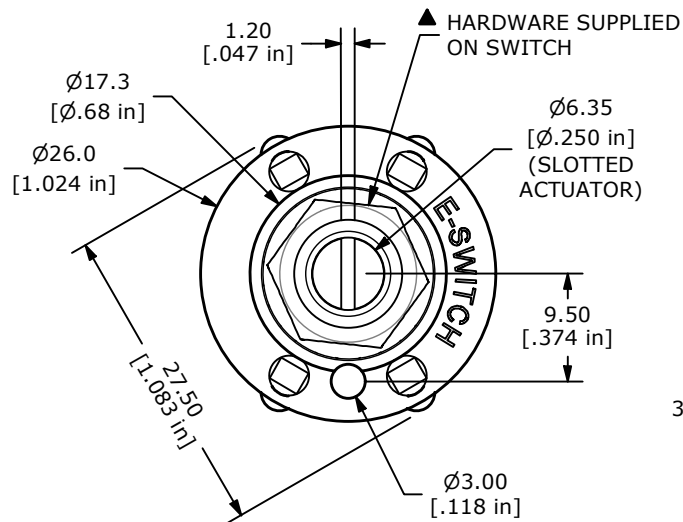
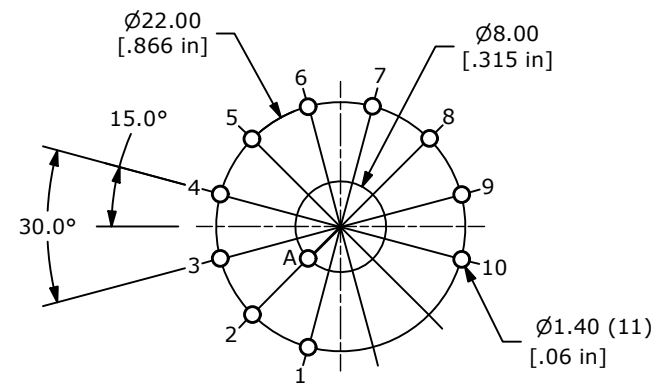


CONTACT CONFIGURATION
TIMING (BBM) NON-SHORTING



- NOTE:**
1. ALL DIMENSIONS IN MM[INCH].
 2. GENERAL TOLERANCE: X.X = ± 0.4
X.XX = ± 0.25
 3. TERM. NOS. FOR REFERENCE ONLY.
 4. CONTACT MATERIAL: SILVER
 5. CONTACT RATING: 150MILLIAMP, 250VAC/DC
350MILLIAMP, 110VAC/DC
 6. CONTACT RATING (NON-SWITCHING) 5A
 7. OPERATING FORCE: 800 ± 300gf
 8. OPERATING TEMP: -30°C to 85°C
 - ▲ 9. CIRCUIT SP: 10 POSITION 30° INDEX.
 10. DIELECTRIC STRENGTH: 500VAC FOR 1 MIN.
 - ▲ 11. HARDWARE SUPPLIED ON SWITCH: LOCKWASHER, HEXNUT
 12. ▲ DENOTES CRITICAL PARAMETER.



P.C.B. MOUNTING LAYOUT



A	24264	RELEASE	4/17/20	MW
REV	PCR NO	DESCRIPTION	DATE	BY

E-SWITCH®				
TITLE KC50D0.001NPS				
SCALE	DATE	DR	DWG	REV
1.5:1	4/14/2020	MW	G530109	A

THE INFORMATION CONTAINED IN THIS DOCUMENT IS PROPRIETARY TO E-SWITCH AND IS NOT TO BE COPIED OR TRANSFERRED